



Ligature Resistant Product Specialists

Product Brochure





Innovative ligature resistant products for behavioral health



Kingsway Group are a specialist manufacturer of anti-ligature products for challenging environments.

We specialize in the design, manufacture and supply of innovative anti-ligature products that improve patient safety, protect staff and enhance the healing environment.

We work with facilities, design teams and distributors to provide best-practice advice, 'fit-for-purpose' products and deliver solutions in our goal of becoming your trusted advisor for anti-ligature products.

How We Work

As anti-ligature specialists Kingsway Group offer support to all types of companies involved in creating and maintaining safe behavioral health facilities. Our goal is to be your trusted advisor at whatever stage of a project you are at and ensure that your needs are met on time every time.

Contents

1. Door Systems	5
Switch	6
Swing	8
Shower	10
2. Anti-Barricade Hardware	11
3. Handles and Hinges	15
4. Ancillary Items	20
5. Vision Panels	27
Duralux	28
Visilux	30
Pyrolux	32
6. Dispensers and Grab Bars	34
Dispensers	35
Grab bars	29

Health System

Kingsway Group carries out site visits and product demonstration to the leading behavioral healthcare systems across the US to educate them in the latest ligature reduction products and best-practices. With our unique 7-step process we are able to assist them to de-risk at every step of the way by agreeing industry standards and having sample testing completed to ensure the products are fit-for-purpose.

Architect

Often working under the instruction of their client's recommendation Kingsway Group will be contacted by architects seeking to specify anti-ligature products and systems within project specifications. We support this activity by providing accurate product specification drawings and data to assist with the construction package or job specification.

Door Hardware Distributor

This is the main sales channel for Kingsway Group where we work with the distributors to assist with their bid process and then moving on into the delivery phase where we assist with shop drawings of custom items; project scheduling and on-time delivery of parts to contribute to the overall success of the project. Door hardware distributors qualify for our trade discount structure to provide transparent pricing and scalable savings based on volumes and trade history.

General Contractor

Kingsway Group supports this category by supplying accurate product information and working with the supply chain to make sure critical project dates are met with the on-time delivery of products to the job site. Kingsway Group also carries out post-project walk throughs in certain situations to check the products and systems are working correctly and that the delivered components meet the client's initial specification.

You will see that whatever sector you are from Kingsway Group is here to ensure that your specific needs are met. Our goal is one of continuous improvement in both product quality and service to give outstanding levels of product safety and customer satisfaction.

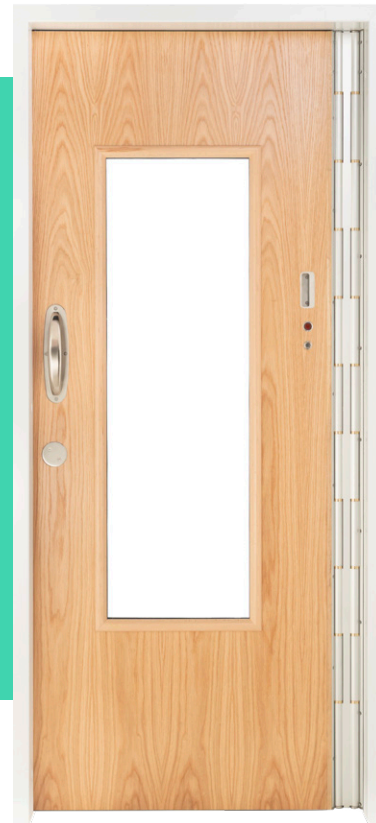


Door Systems

Switch Anti-Barricade Door System

System Detail

The Switch anti-barricade door system allows the safe opening of a door outwards in the event of a patient barricade. By unlocking the unique Switch mechanism on the hinge side of the door staff can remain in the safe 'green zone' while resolving a barricade issue. The Switch anti-barricade door system can be used on new door frame or retro-fit into existing single rabbet frame with the use of the head filler section.



Quick Info:

Door System Type: Switch

Door Action: Double action anti-barricade

Hardware Required: KG280 Switch anti-barricade hinge system

Frame Required: Cased header and frame jamb with single rabbeted latching jamb

Door thicknesses: 1 3/4" or 2" door, door leaf supplied by others

Max Opening Dimensions: 4'0" x 7'0"

Rating: UL1784 rated for smoke leakage

Benefits of Switch Anti-Barricade Door System:

- Allows staff to remain in safe 'green zone' on the hinge side of the door in a barricade situation
- Robust frame design with single rabbet
- Very heavy-duty construction
- Non-institutional appearance

Case Study

Ellis Medical Center, NY/Mayo Clinic, MN



Operation Step-By-Step:



Step 1

Staff approach the door and look through the vision panel (if present) to check the patient's location within the room.



Step 2

Standing safely in the barricade 'green zone' the staff unlock the Switch hinge mechanism using the dedicated Kingsway key.



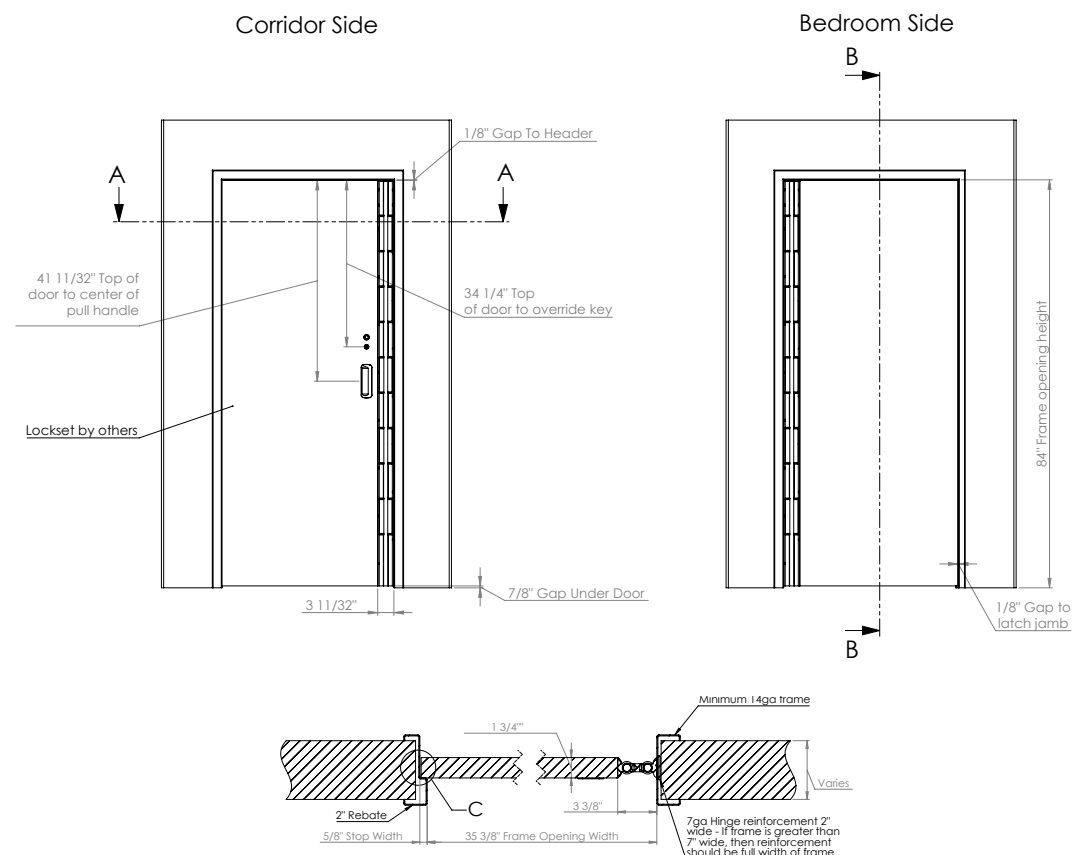
Step 3

Staff pull the door outwards using the handle in the door still standing in the safety of the hinge side of the door.



Step 4

Door retracts outwards – even if the deadbolt is locked it still clears passed the door frame which guarantees entry even when door is locked shut.



Swing Anti-Barricade Door System

System Detail

The Swing anti-barricade door system allows the safe opening of a door outwards in the event of a patient barricade. By unlocking the frame mounted SwingStop anti-barricade door stop the staff can swing the door outwards to gain access to the barricaded area. The SwingStop is securely installed on the closing jamb of the frame while the SwingHinge provides a robust and anti-ligature continuous solution on the hinge side.



Operation Step-By-Step:



Step 1

Staff approach the door and look through the vision panel (if present) to check the patient's location within the room.

Step 2

Staff unlock SwingStop removable door stop on the opening side of the door.

Step 3

Staff fold back the SwingStop removable door stop and open the door outwards.

Step 4

Door is free to open outward and staff are able to access the barricaded area.

Quick Info:

Door System Type: Swing

Door Action: Double action anti-barricade

Hardware Required: SwingHinge double action continuous hinge and SwingStop anti-barricade removable door stop.

Frame Required: Cased opening frame

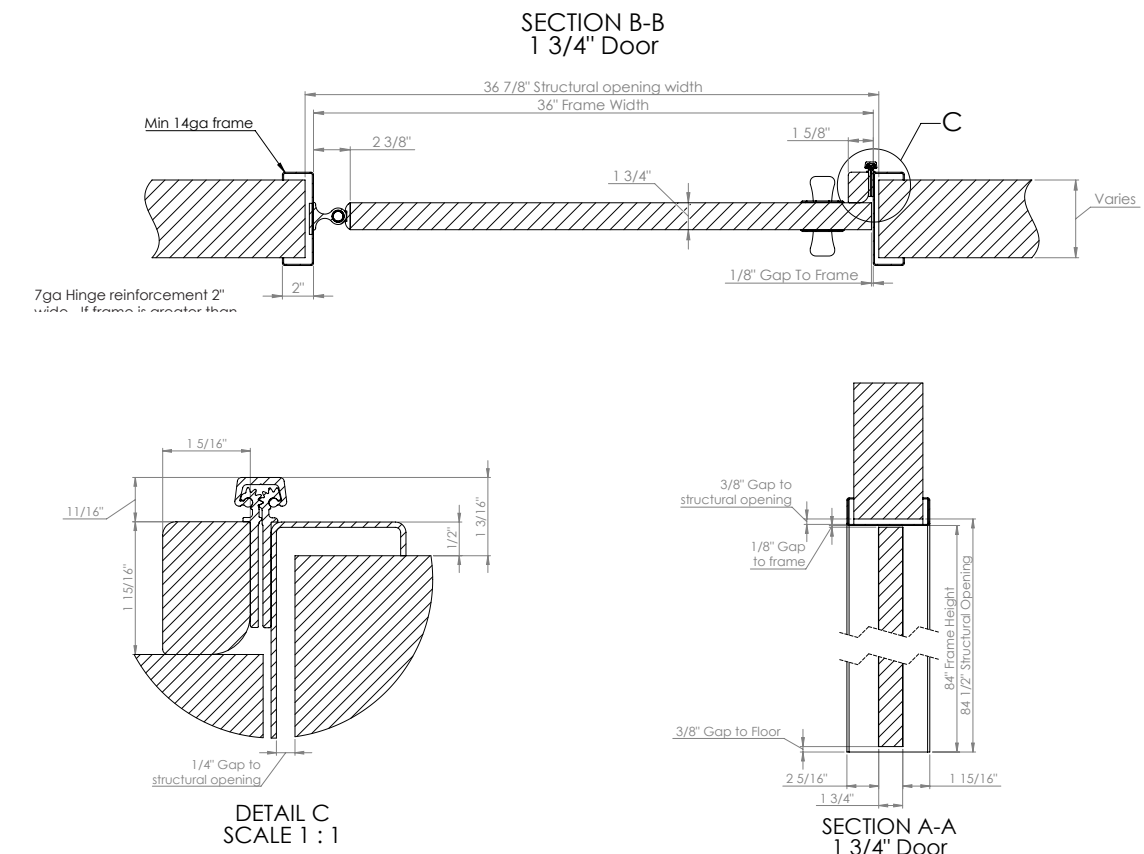
Door thicknesses: 1 3/4" or 2" door, door leaf supplied by others

Max Opening Dimensions: 4'0" x 7'0"

Rating: UL1784 rated for smoke leakage

Benefits of Swing Anti-Barricade Door System:

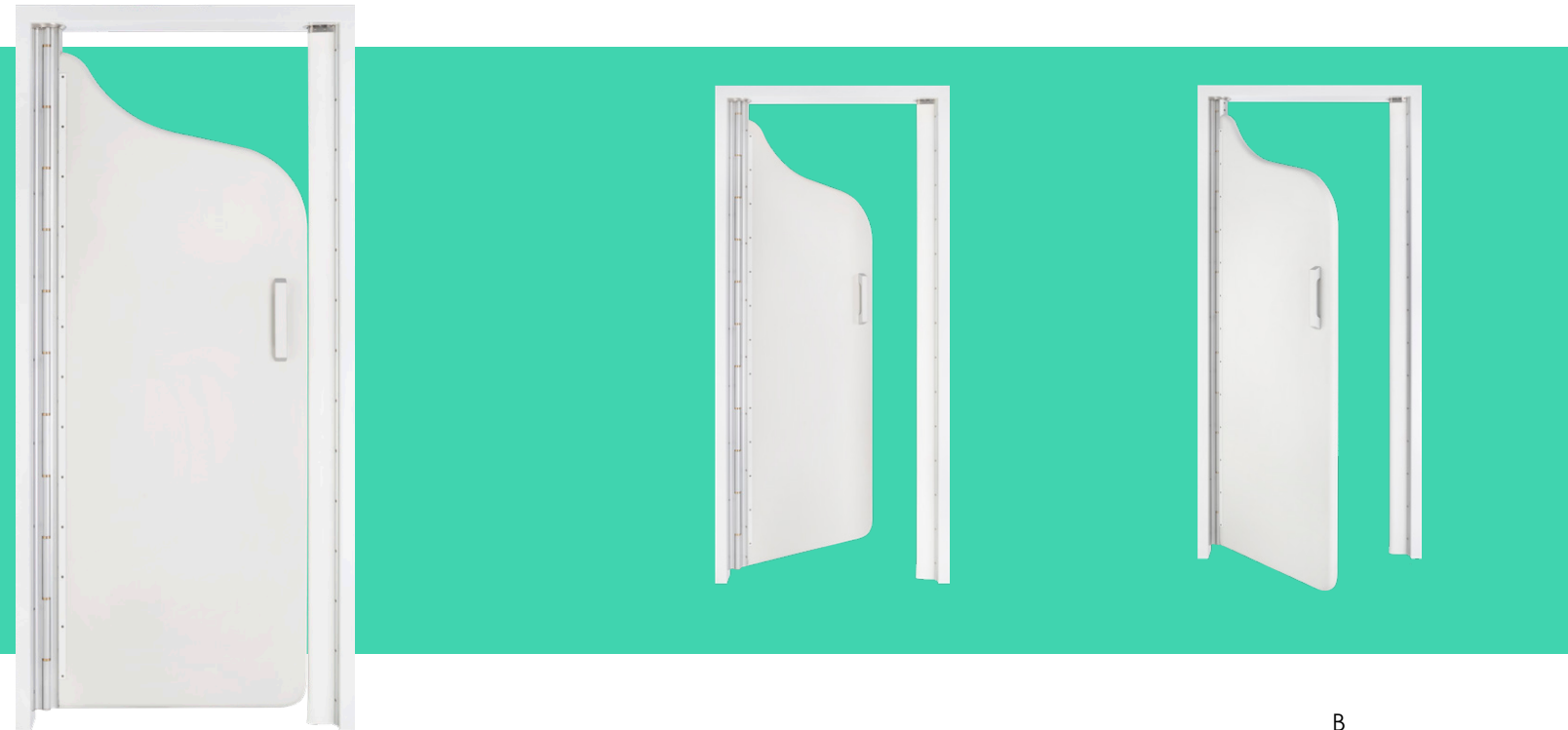
- Provides a safe means of creating an anti-barricade doorset in high-risk areas
- Can be retro fitted to existing door frames
- Hinges opens 105° in either direction to allow maximum access
- Choice of SwingStop removable door stop finishes to coordinate with door leaf by others.



Shower Ligature Resistant Door System

System Detail

The Shower ligature resistant bathroom door system provides building designers and facility operators a tested kit of components that coordinate to provide a safe door solution for patient en-suite bathrooms. The main advantages of the Shower product are the way the hinge is full length and has a patent pending purpose designed cap at the top and then the flexible rubber fin on the closing side of the door frame provides a unique solution to minimizing a serious ligature risk.



System Detail:



Shower door system hinge fits into surface mounted hinge top cap.

Quick Info:

Door System Type: Shower

Door Action: Double action bathroom door – reduced height door leaf

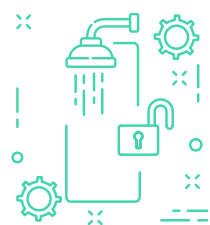
Hardware Required: KG203 SwingHinge for Shower with frame head cap, Shower rubber fin

Frame Required: Cased opening by others, minimum 14ga frame.

Door thicknesses: 1 3/4" with Kingsway Group Shower door leaf or reduced height leaf by others

Max Opening Dimensions: 4'0" x 7'0"

Rating: Non rated

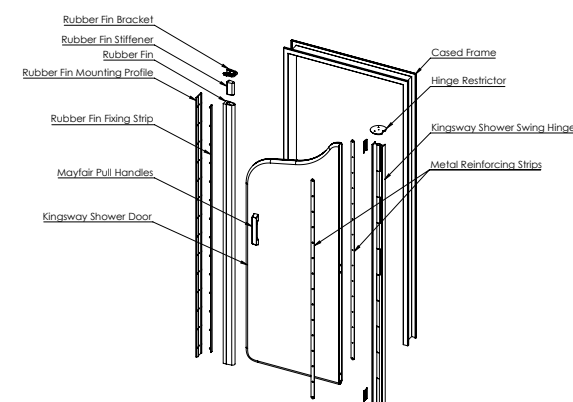
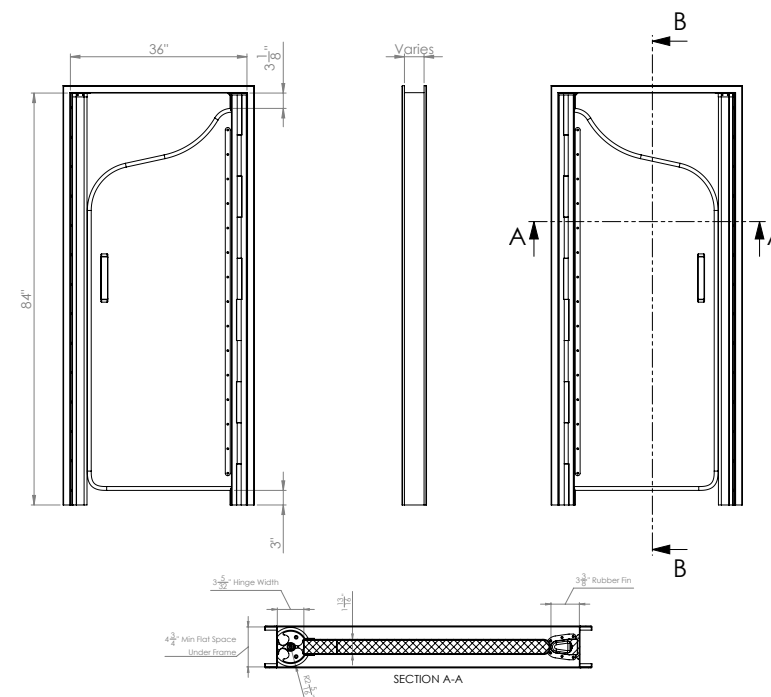


Benefits of Shower Ligature Resistant Door System:

- Provides the SwingHinge full length double acting continuous hinge to the door leaf which increases robustness and most importantly gives excellent ligature resistance.
- The SwingHinge fits into a surface mounted cap at the head of the frame which prevents any ligature looping around the top of the hinge.
- The flexible rubber fin on the closing side of the frame reduces the risk of ligature trapping between the door leaf and the closing side of the frame.
- Shower door leaf made from high strength ABS plastic skin with inner dense foam core to provide a rot-free solution that is easy to use and robust – clients can alternatively specify their own door leaf design.

Case Study

Cleveland Clinic, OH



Shower door system closing side rubber fin with top cap.



Shower door system SwingHinge double action continuous hinge.



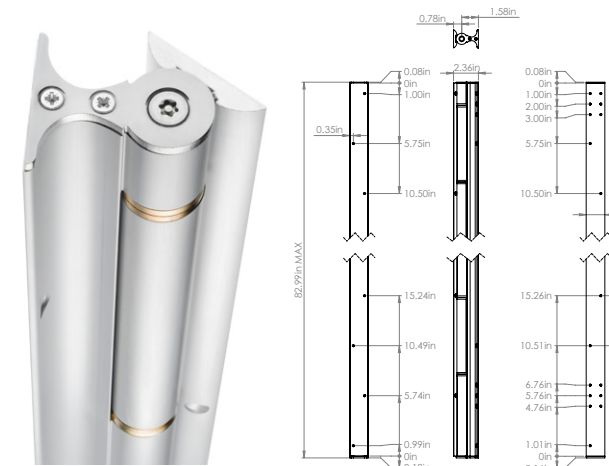
Anti-Barricade Hardware

Anti-Barricade Devices

KG202 SWINGHINGE ANTI-LIGATURE DOUBLE ACTING CONTINUOUS HINGE

The KG202 SwingHinge is a unique double acting continuous hinge that allows doors to open in 105 in both directions. This hinge can be used on double acting corridor doors or used with a SwingStop removable door stop to create an anti-barricade system for doors in high risk areas.

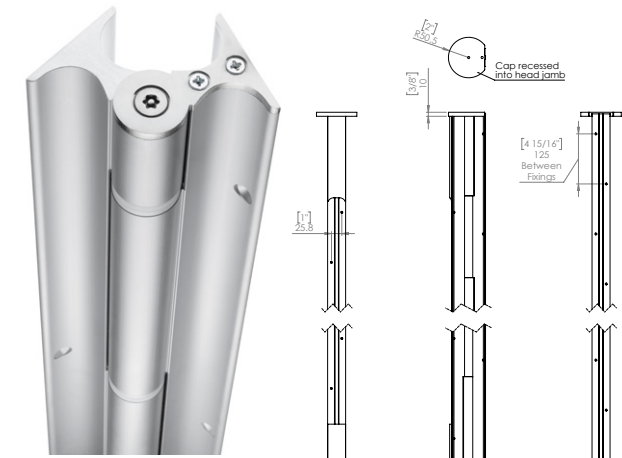
Specification
KG202 SwingHinge double acting continuous hinge



KG203 SWINGHINGE ANTI-LIGATURE ACTING CONTINUOUS HINGE FOR REDUCED DOORS

The KG203 SwingHinge is suitable for use on reduced height doors in patient bathrooms, a cover cap is supplied which is trimmed to length depending on the required door height.

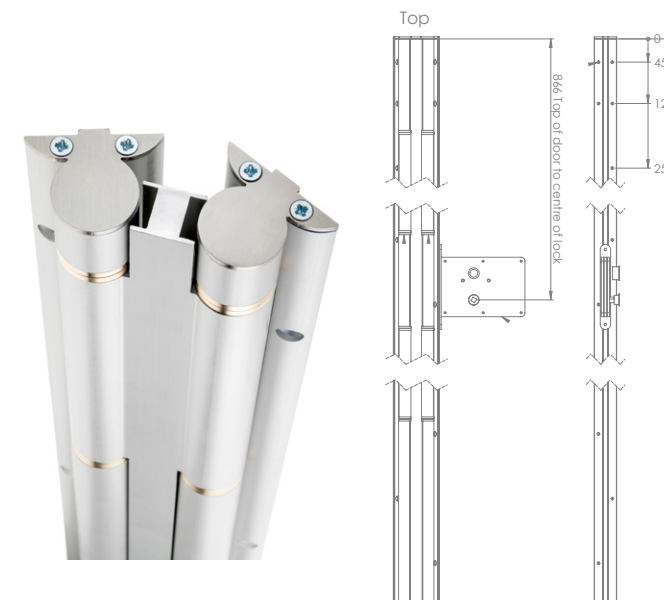
Specification
KG203 SwingHinge for reduced height doors
KG203-SC Surface hinge cap for frame



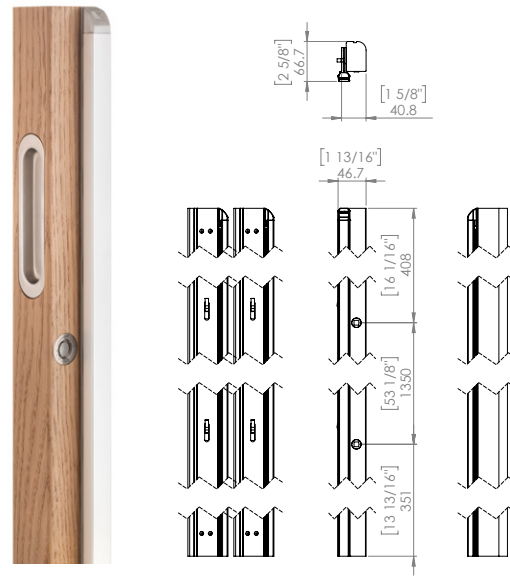
KG280 SWITCH HINGE

The Switch hinge is a unique anti-barricade device that allows the door to swing in one direction in standard operation and then when unlocked the Switch hinge folds to allow the door to be opened outwards. The Switch hinge allows staff to stay over on the hinge side of the door when dealing with a barricade situation and can be retro-fit into a standard rabbet door frames.

Specification
KG280 Switch hinge mechanism
KG280-HF Frame head filler piece to allow double action



Anti-Barricade Devices

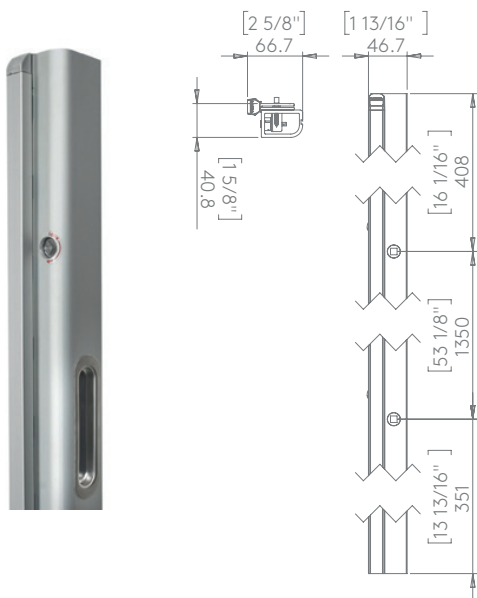


KG205 ANTI-LIGATURE
SWINGSTOP ANTI-BARRICADE
DOOR STOP, 2 POINT LOCK,
WOOD STOP

The SwingStop is an anti-barricade door stop that works with a double action hinge. When locked the door stops against it – When unlocked with the Kingsway oval security key it allows the door to swing out meaning the door can open outwards. Solid wood trim available in Ash, Beech, Oak, Sapele and paint grade wood finishes.

Specification

KG205 SwingStop 2 Lock, Wood stop part available in Ash, Beech and Oak with clear lacquer finish.



KG207 ANTI-LIGATURE
SWINGSTOP ANTI-BARRICADE
DOOR STOP, 2 POINT LOCK,
ALUMINIUM

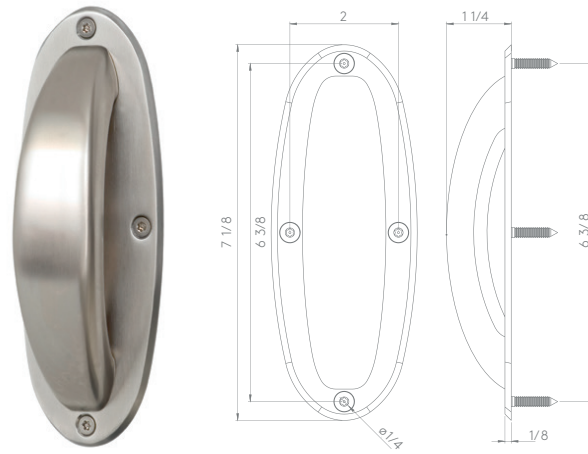
The SwingStop is an anti-barricade door stop that works with a double action hinge. When locked the door stops against it – When unlocked with the Kingsway oval security key it allows the door to swing out meaning the door can open outwards. The aluminium Swing Stop is extruded from high grade aluminium and anodised to match the continuous hinge that it is installed on.

Specification

KG207 SwingStop anti-barricade door stop, 2 point lock, Aluminium Stop.



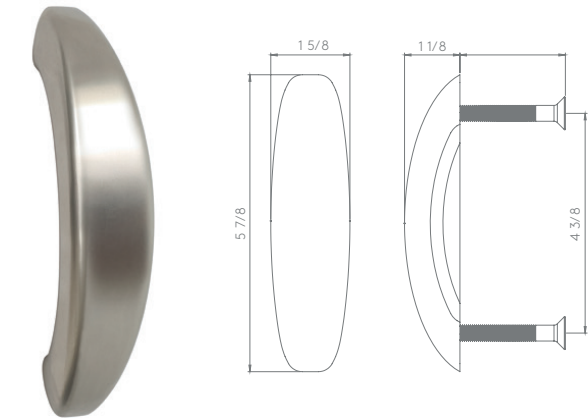
Handles and Hinges



KG30 ANTI-LIGATURE EASYGRIP PULL HANDLE ON BACK PLATE

The anti-ligature Easy Grip pull handle on a back plate provides a sleek solution and provides sufficient grip and remains safe for installation in all user group areas.

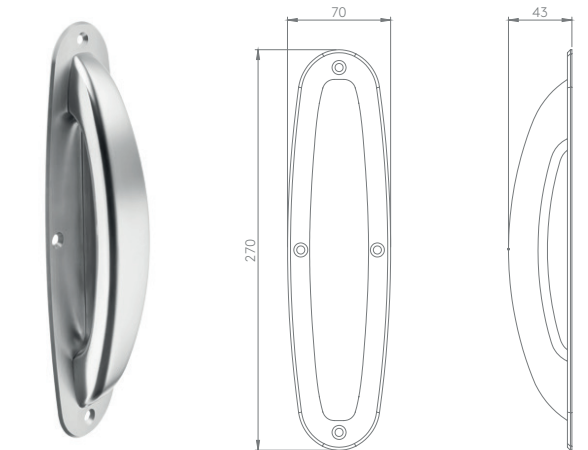
Specification
KG30 Easy Grip pull handle on back plate



KG31 ANTI-LIGATURE EASYGRIP PULL HANDLE BOLT FIXED

The anti-ligature Easy Grip pull handle is bolt fixed to be used in conjunction with the KG30 Easy Grip pull handle on a back plate. It has been designed to give sufficient grip and be safe for installation in all user group areas.

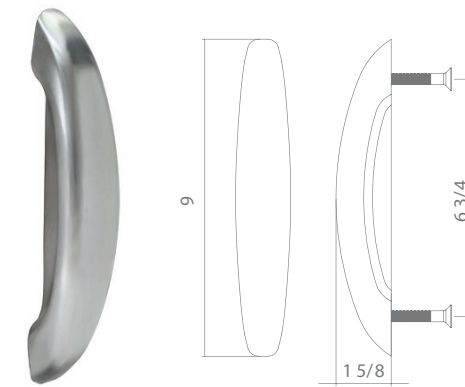
Specification
KG31 Easy Grip Pull Handle



KG40 ANTI-LIGATURE ERGOGRIP HANDLE ON BACK PLATE

The Ergogrip pull handle is a stylish and modern anti-ligature handle that offers an excellent grip yet is also anti-ligature by design. The KG40 version is supplied on a large radiused end finger plate that has chamfered edges and countersunk screw holes and is supplied with security screws.

Specification
KG40 Ergogrip Pull Handle on Back Plate



KG41 ANTI-LIGATURE ERGOGRIP HANDLE BOLT FIXED

The Ergogrip pull handle is a stylish and modern handle that offers an excellent grip yet is also anti-ligature by design. The KG41 is a bolt fixed version that is supplied to be used with a KG40 to the other side.

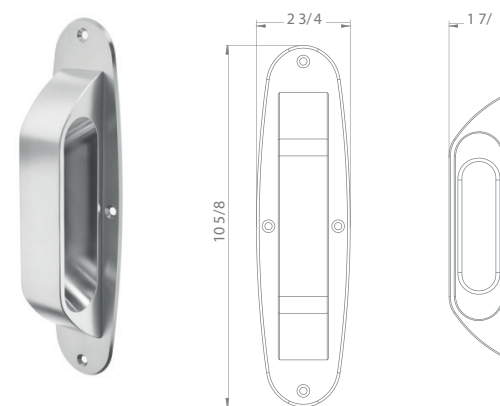
Specification
KG41 Ergogrip Pull Handle Bolt Fixed



KG50 ANTI-LIGATURE SMALL CUPPED PULL HANDLE

The small cupped pull handle is ideally suited to items of furniture, sliding cupboards and windows. It is mounted from the face and has a good grip area while being anti-ligature from all directions

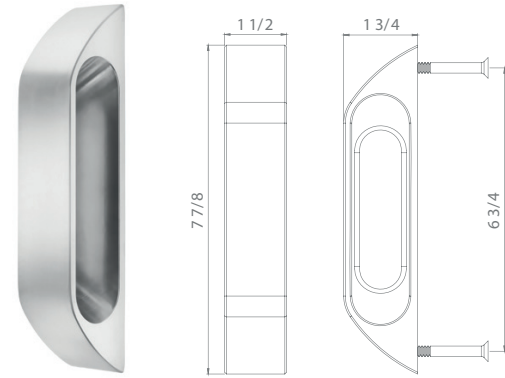
Specification
KG50 Small Cupped Pull Handle



KG60 ANTI-LIGATURE CLASSIC GRIP HANDLE ON BACK PLATE

The Classic Grip pull handle provides a deep grip area making it suitable for older or less dexterous patient groups. The KG60 version is supplied on a back plate with radiused ends.

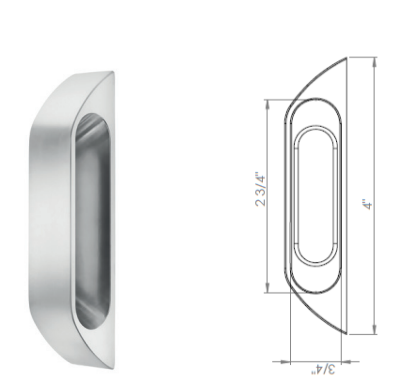
Specification
KG60 Classic Grip Pull Handle on back plate



KG61 ANTI-LIGATURE CLASSIC GRIP PULL HANDLE BOLT FIXED

The Classic Grip pull handle provides a deep grip area making it suitable for older or less dexterous patient groups. The KG61 version is a bolt fixed version.

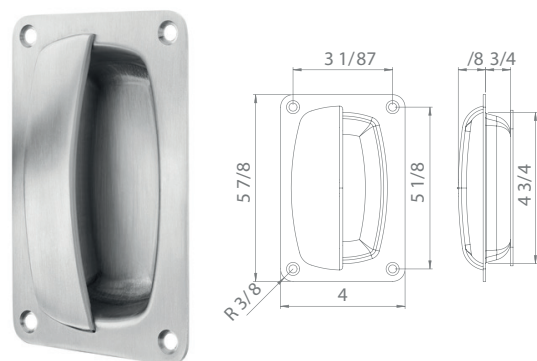
Specification
KG61 Classic Grip Pull Handle Bolt Fixed



KG62 ANTI-LIGATURE PULL HANDLE SINGLE RECESSED FACE FIX

The Classic Grip cabinet pull is a neat ligature resistant cabinet pull solution that can be either vertically or horizontally mounted. It has a one-sided grip deep grip area making it easy to use while being ligature resistant by design. The handle is mounted through a panel with security bolts provided.

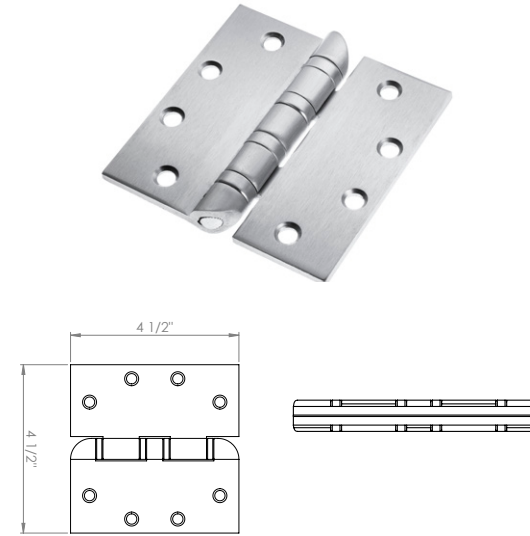
Specification
KG62 Classic Grip ligature resistant cabinet pull



KG70 ANTI-LIGATURE PULL HANDLE SINGLE RECESSED FACE FIX

The Kingsway recessed pull handle is a slim and stylish pull handle that has an excellent grip area while being anti-ligature by design. Made from pressed stainless steel it is extremely durable and is suitable for all patient groups.

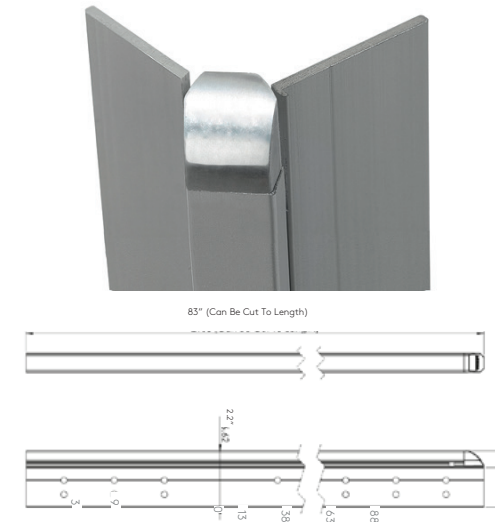
Specification
KG70 Recessed Pull Handle



KG106 ANTI-LIGATURE BUTT HINGES

The ligature resistant stainless-steel butt hinge has a specially machined knuckle end that is chamfered to 45° to resist ligature attachment. Recommended installation is three hinges per door leaf and to install with security pin torx screws supplied.

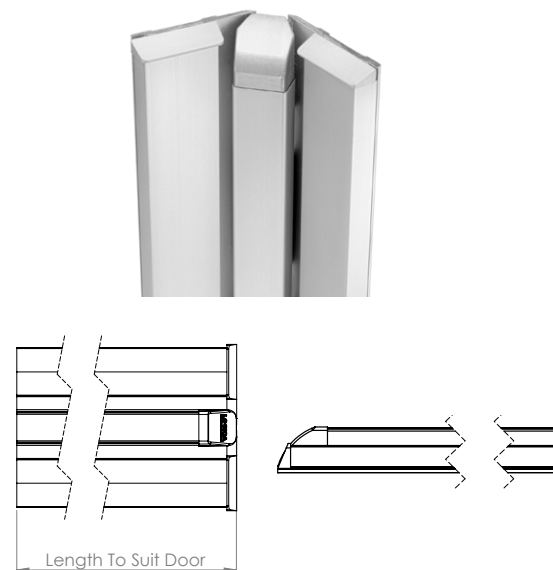
Specification
KG106 Ligature Resistant Butt Hinge



KG200 ANTI-LIGATURE CONTINUOUS HINGES

The anti-ligature aluminium continuous geared hinge runs the full length of the door and provides strength, security and safety. It is installed with a specially formed metal cap to resist ligature attachment and is supplied with security pin torx screws. The amount the hinge opens to is 180 degrees.

Specification
KG200 Continuous Hinge



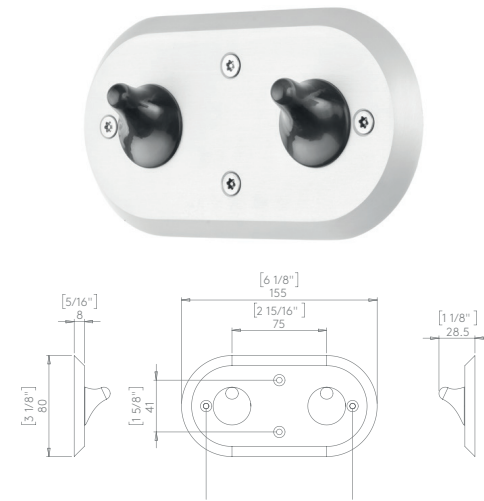
KG210 ANTI-LIGATURE CONTINUOUS HINGES

The ligature resistant aluminium continuous full surface geared hinge runs the full length of the door and provides strength, security and safety. It is installed directly to the face of the door and frame and at the top of the hinge has a specially formed metal cap to resist ligature attachment and is supplied with security pin torx screws. The amount the hinge opens to is 180 degrees.

Specification
KG210 Full Surface Ligature Resistant Continuous Hinge



Coat Hooks and Door Stops



Coat Hooks

KG177 ANTI-LIGATURE DUAL COAT HOOK RACK

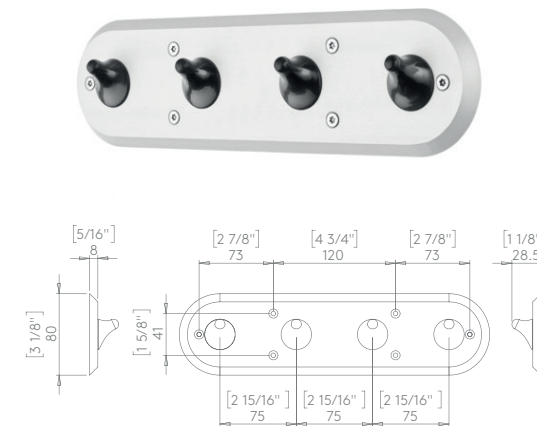
The dual anti-ligature coat hook rack has two flexible rubber hooks secured with an aluminium surround with security screws. The rubber parts are available in five different colors.

Specification

KG177 Anti-Ligature Dual Coat Hook Rack

Available Colors

Black (BK), Blue (BL), Cream (CR), Grey (GR), Beige (BE)



KG178 ANTI-LIGATURE QUAD COAT HOOK RACK

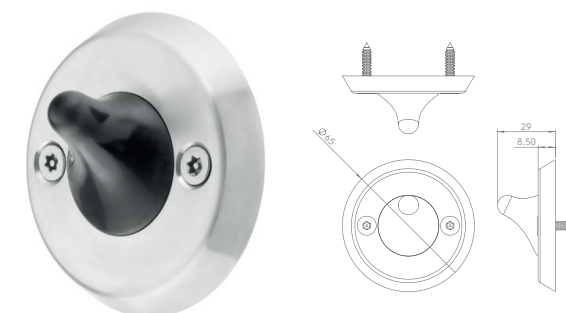
The quad anti-ligature coat hook rack has four flexible rubber hooks secured with an aluminium surround with security screws. The rubber parts are available in five different colors.

Specification

KG178 Anti-Ligature Quad Coat Hook Rack

Available Colors

Black (BK), Blue (BL), Cream (CR), Grey (GR), Beige (BE)



KG180 ANTI-LIGATURE SINGLE COAT HOOK

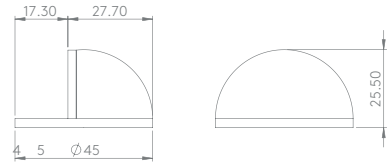
The anti-ligature coat hook has a flexible rubber part which has a low load release which is secured in a stainless steel surround with two security screws. The rubber part is available in five different colors.

Specification

KG180 ANTI-LIGATURE SINGLE COAT HOOK

Available Colors

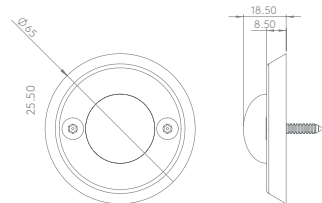
Black (BK), Blue (BL), Cream (CR), Grey (GR), Beige (BE)



KG181 ANTI-LIGATURE DOOR STOP FLOOR MOUNTED

The floor mounted door stop is manufactured from stainless steel and high impact rubber and is designed to protect surfaces being damaged by the force of a door being opened.

Specification
KG181 Floor mounted door stop

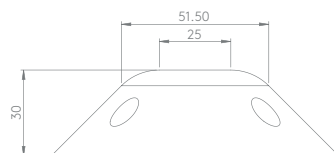


KG182 ANTI-LIGATURE DOOR STOP WALL MOUNTED

The wall mounted door stop is a high impact molded rubber dome set in a solid stainless steel surround. These are fixed to protect walls from damage by door handles.

Specification
KG182 Wall Mounted Door Stop

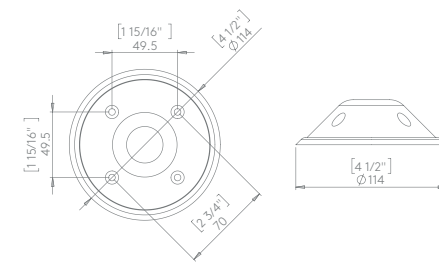
Available Colors
Black (BK), Blue (BL), Cream (CR), Grey (GR), Beige (BE)



KG183 ANTI-LIGATURE LARGE RUBBER DOOR STOP WALL MOUNTED

Solid high pressure domed rubber door stop for use on walls and doors. Can be mounted to the wall and door to provide a maximum clearance where large hardware is used.

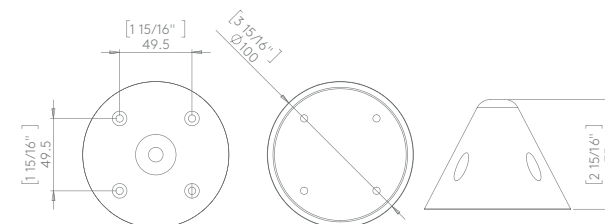
Specification
KG183 Large Rubber Wall Mounted Door Stop



KG184 ANTI-LIGATURE LARGE RUBBER DOOR STOP WALL MOUNTED ON BACKPLATE

Solid high pressure domed rubber door stop with metal back plate for ultimate durability for use on walls and doors. Can be mounted to the wall and door to provide a maximum clearance where large hardware is used.

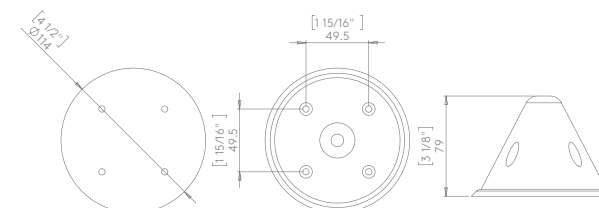
Specification
KG184 - Large rubber wall mounted door stop on back plate



KG185 ANTI-LIGATURE EXTENDED LARGE RUBBER DOOR STOP WALL MOUNTED

Anti-ligature solid high pressure domed extended rubber door stop for use on walls and doors. Extended option provides maximum clearance where large hardware is used.

Specification
KG185 Extended Door Stop Wall Mounted



KG186 ANTI-LIGATURE EXTENDED LARGE RUBBER DOOR STOP WALL MOUNTED ON BACK PLATE

Anti-ligature solid high pressure domed extended rubber door stop on secure back plate for use on walls and doors. Extended option provides maximum clearance where large hardware is used.

Specification
KG186 Extended Rubber Wall Mounted Door Stop on Back Plate



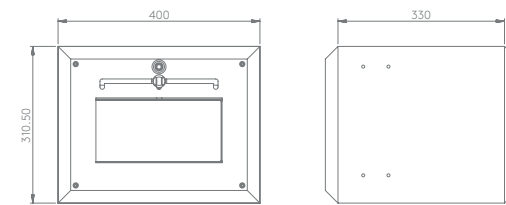
Ancillary Items

Hatch



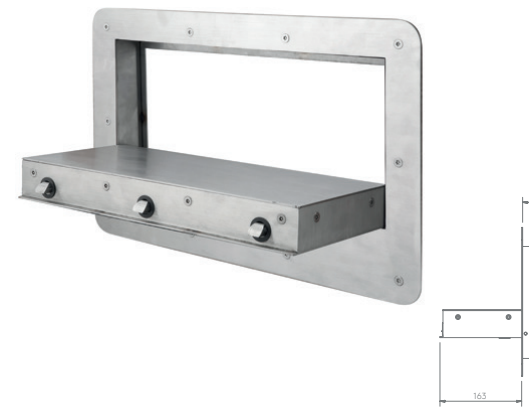
KG160 WALL MOUNTED FOOD HATCH

The KG160 food hatch is a rotating unit that is installed in a wall to allow the safe passing of items up to 8 21/32" wide through to a patient. The rotating internal drum removes the risk of staff coming into contact with the patient, the unit is secured into the opening securely and has no visible fixings to the patient side.



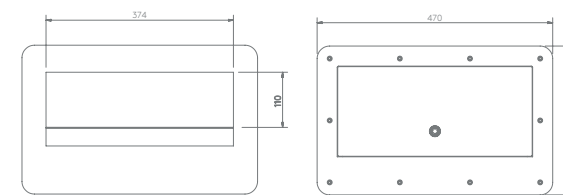
Specification

KG160 Wall Mounted Food Hatch



KG164/165 SECURE TRAY HATCH WITH 3-POINT LOCK

The secure tray hatch is a high secure unit that is installed into doors to provide a secure tray serving solution. Manufactured to allow items up to 14 23/32" wide to be passed into a room removing the requirement for the door to be opened for communications or patient serving. Secured with security bolts from the fascia on staff side and no visible fixings on patient side.



PATIENT SIDE VIEW WITH DOOR OPEN SHOWING ACTUAL OPENING SIZE

Specification

KG164 Secure Tray Hatch with 3-Point Lock for a 1 3/4" Door
 KG165 Secure Tray Hatch with 3-Point Lock for a 1 3/4" Door

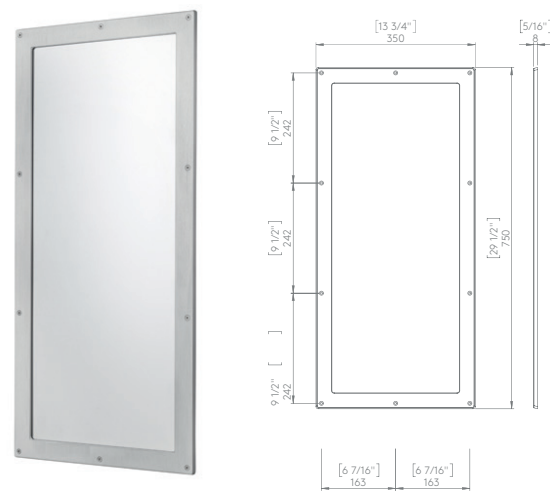
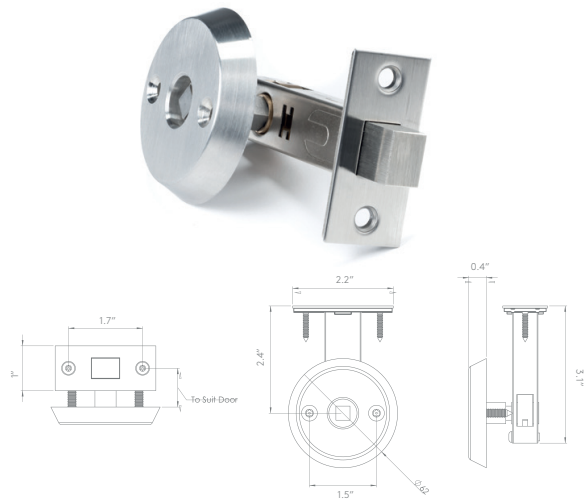
Ancillary Items

KG220/KG221 QUARTER TURN DEADBOLT RELEASE

The security bolt is mounted inside half leaf doors to provide a secure alternative to flush bolts. It is operated using an 5/16" square key drive and has a 19/32" throw for maximum security.

Specification

KG220 Quarter turn deadbolt 5/16" square key release
 KG221 Quarter turn deadbolt oval key release



KG231 ANTI-LIGATURE MIRROR

Anti-ligature, shatter resistant mirror. Made from an aluminium frame with a polycarbonate mirror piece. Secured to the wall with security fixings.

Specification

KG231 Anti-ligature mirror 18" x 36"



KG360 ANTI-LIGATURE ACCESS PANEL

Secure access panels to allow ease of operation yet protect against abuse and self harming. These secure steel panels are manufactured from 14 gauge steel to allow ease of the access to vital services yet guard against physical abuse and the risk of fire. Installed with a heavy duty deadbolt lock and operated by Kingsway dispenser key.

Specification

KG360 Anti-ligature access panel 12" x 12"
 KG361 Anti-ligature access panel 16" x 16"

Other sizes are available on request.



Vision Panels

The Kingsway Group range of vision panels provide specific solutions to mental health environments.

The Duralux secure privacy vision panel with it's secure stainless steel trim has been designed specifically for behavioral health facilities and has been proven to perform in the most challenging environments.

The Visilux range of privacy vision panels with a wood trim provides a simple yet aesthetically pleasing solution to providing controllable observation into patient areas.

The Pyrolux range of clear glazed vision panels provide a fire rated solution to clear glazed doors and the Visilux range provides a simple solution to standard areas.

The Kingsway Group vision panels are available with many design options such as images, timber effect wrapped fascias, multiple control functions and the soft close mechanism.



Duralux

Ultimate high secure vision panel

Duralux privacy vision panels are the original high strength vision panel for behavioral health environments. Combining the stainless steel pressed fascia with the attack resistant glazing to provide the most durable solution.

Designed for Behavioral Health Environments

The Patient side of the Duralux vision panel features the following design elements:

- Anti-ligature thumb turn where specified
- Pressed stainless steel fascia with no visible fixings
- Trident 3/4" toughened attack resistant glass

The Staff side features:

- Recessed square or oval key operation where specified
- 12 M5 security bolts
- Trident 3/8" toughened glass
- Pressed stainless steel fascia



Security
Manufactured using a special pressed stainless steel fascia that securely seals to the glass face on both sides. These are connected using 12 x M5 security bolts making sure the glazing unit is held safely and securely.



Function Options
Duralux units can be made to operate from both sides or just one side and can be used with a staff key or patient thumb turns. We offer either a hold open function or auto-close function for the control which is available across the entire range.



Safety
The softened outer edge of the fascia and the rounded anti-ligature thumb turn ensure that self harm possibilities are reduced. All glazing used in Duralux units is Trident safety toughened glass which has been impact tested to ensure maximum safety.



Design Options
We offer bespoke sizes which allows you to have Duralux panels to suit your aperture. We also offer color options for the vision bands, powder coat option for the fascia, and additional safety film for the glazing in extreme environments.



High Strength Glazing
The glazing used is 3/4" and 3/8" Trident attack resistant glass. This is secured within its own stainless steel casement to provide greater security and enhanced fire resistance.



Secure key
Duralux vision panels are operated with the square key or the secure oval key to restrict observation to staff only from the outside.

Technical Specs

Door Type Compatibility

Bedrooms, corridors, ensuites, staff rooms.

Smoke Rating

UL1784 smoke rated



Duralux

The original high strength fit-for-purpose vision panel that has been designed specifically for challenging healthcare environments. A simple 90° turn of either the staff key or patient thumb turn aligns the frosted bands on the glass allowing vision through the door.

Panel Size Options

Code	Outside Fascia Size	Vision Panel Unit Size	Cut Out Size in Door	Control type	Door Thickness
D5200	8 1/2" x 20 1/4"	5" x 17"	5 1/4" x 7 1/4"	Staff Key & Patient Thumb Turn	1 3/4"
D5201	8 1/2" x 20 1/4"	5" x 17"	5 1/4" x 7 1/4"	Staff Key to Both Sides	1 3/4"
D5202	8 1/2" x 20 1/4"	5" x 17"	5 1/4" x 7 1/4"	Patient Thumb Turn to Both Sides	1 3/4"
D5203	8 1/2" x 20 1/4"	5" x 17"	5 1/4" x 7 1/4"	Staff Key Control Only	1 3/4"
D5204	8 1/2" x 20 1/4"	5" x 17"	5 1/4" x 7 1/4"	Patient Thumb Turn Only	1 3/4"
D8200	8 1/2 x 32"	5" x 28 3/4"	5 1/4 x 29"	Staff Key & Patient Thumb Turn	1 3/4"
D8201	8 1/2 x 32"	5" x 28 3/4"	5 1/4 x 29"	Staff Key to Both Sides	1 3/4"
D8202	8 1/2 x 32"	5" x 28 3/4"	5 1/4 x 29"	Patient Thumb Turn to Both Sides	1 3/4"
D8203	8 1/2 x 32"	5" x 28 3/4"	5 1/4 x 29"	Staff Key Control Only	1 3/4"
D8204	8 1/2 x 32"	5" x 28 3/4"	5 1/4 x 29"	Patient Thumb Turn Only	1 3/4"
D4400	18 1/2" x 18 1/2"	16" x 16"	16 1/4" x 16 1/4"	Staff Key & Patient Thumb Turn	1 3/4"
D4401	18 1/2" x 18 1/2"	16" x 16"	16 1/4" x 16 1/4"	Staff Key to Both Sides	1 3/4"
D4402	18 1/2" x 18 1/2"	16" x 16"	16 1/4" x 16 1/4"	Patient Thumb Turn to Both Sides	1 3/4"
D4403	18 1/2" x 18 1/2"	16" x 16"	16 1/4" x 16 1/4"	Staff Key Control Only	1 3/4"
D4404	18 1/2" x 18 1/2"	16" x 16"	16 1/4" x 16 1/4"	Patient Thumb Turn Only	1 3/4"
D8400	12 1/2 x 34"	10" x 31 1/2"	10 1/4" x 31 1/4"	Staff Key & Patient Thumb Turn	1 3/4"
D8401	12 1/2 x 34"	10" x 31 1/2"	10 1/4" x 31 1/4"	Staff Key to Both Sides	1 3/4"
D8402	12 1/2 x 34"	10" x 31 1/2"	10 1/4" x 31 1/4"	Patient Thumb Turn to Both Sides	1 3/4"
D8403	12 1/2 x 34"	10" x 31 1/2"	10 1/4" x 31 1/4"	Staff Key Control Only	1 3/4"
D8404	12 1/2 x 34"	10" x 31 1/2"	10 1/4" x 31 1/4"	Patient Thumb Turn Only	1 3/4"

Design Options

Add 'U' to the code for 19mm Ultra stripes
Add 'P' to the code for a picture panel
Add 'SC' to the code for soft close function

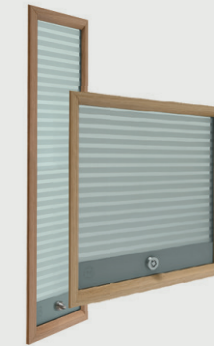
Add 'F' to the code for 150 micron film both sides
Add 'W' to the code for a wrapped fascia
Add 'PC' to the code for a powder coated fascia

Visilux

High quality, versatile privacy vision panel

The Visilux vision panel is the original high quality, versatile vision panel that combines toughened glass and top quality stainless steel components to compliment any healthcare environment.

A simple 90° turn of either the staff key or patient thumb turn aligns the frosted bands on the glass allowing vision through the door.



Visilux

The Visilux vision panel is the original high quality, versatile vision panel that combines tempered glass and stainless steel components to compliment any healthcare environment.

Designed for Mental Health Environments

The Patient side of the Visilux vision panel features the following design elements:

- Anti-ligature turn or ADA lever
- 15/64" toughened glass for safety and security

The Staff side features:

- Square or oval key staff turn for security
- 15/64" toughened glass for safety and security
- Secured with timber beads

Technical Specs

Door Type Compatibility

Bedrooms, corridors, ensembles, staff rooms.

Panel Size Options

Square Panels

16" x 16" panel size
16 1/4" x 16 1/4" cut out

Rectangle Panels

10" x 31 1/2" panel size
10 1/4" x 31 3/4" cut out

Platinum Panels

Change door code to 'VP'

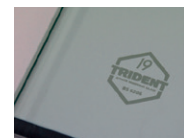
Code	Vision Panel Unit Size	Cut Out Size in Door	Control Type	Door Thickness
V4400	16" x 16"	16 1/4" x 16 1/4"	Staff Key & Patient Thumb Turn	1 3/4"
V4401	16" x 16"	16 1/4" x 16 1/4"	Staff Key to Both Side	1 3/4"
V4402	16" x 16"	16 1/4" x 16 1/4"	Patient Thumb Turn to Both Sides	1 3/4"
V4403	16" x 16"	16 1/4" x 16 1/4"	Staff Key Control Only	1 3/4"
V4404	16" x 16"	16 1/4" x 16 1/4"	Patient Thumb Turn Only	1 3/4"
V8400	10" x 31 1/2"	10 1/4" x 31 3/4"	Staff Key & Patient Thumb Turn	1 3/4"
V8401	10" x 31 1/2"	10 1/4" x 31 3/4"	Staff Key to Both Side	1 3/4"
V8402	10" x 31 1/2"	10 1/4" x 31 3/4"	Patient Thumb Turn to Both Sides	1 3/4"
V8403	10" x 31 1/2"	10 1/4" x 31 3/4"	Staff Key Control Only	1 3/4"
V8404	10" x 31 1/2"	10 1/4" x 31 3/4"	Patient Thumb Turn Only	1 3/4"



Safety
The softened edges of the glazing beads, the rounded anti-ligature thumb turn and shrouded square drive ensure that self harm possibilities are reduced. All glazing used in Visilux units is Trident safety toughened glass which has been impact tested to ensure maximum safety.



Design Options
We offer bespoke sizes which allows you to have Visilux panels to suit your aperture. We also offer color options or images for the vision bands.



Glazing Options
Visilux units are available with either 15/64", 3/8" and 3/4" Trident toughened glass to both outer faces. Trident glass is a high quality modified toughened glass that is attack resistant and fire resistant and has been used in a wide range of projects across the UK.



Dual Controls
Visilux units can be made to operate from both sides or just one side and can be used with a staff control key or patient thumb turn. We offer either a hold open function or auto-close function for the control which is available across the entire range.



Beading
Visilux units require moulded timber bead cassettes that bolt fix together securing the panel in the door. The thickness of the door determines what beading is required.



Secure key
Visilux vision panels are operated with the 5/16" square key or the secure oval key to restrict observation to staff only from the outside.

Design Options

- Add 'U' to the code for 3/4" Ultra stripes
- Add 'P' to the code for a picture panel
- Add 'SC' to the code for soft close function
- Add 'F' to the code for 150 micron film both sides
- Soft close add 'SC' to the end of the code.

Pyrolux

Fire rated clear glazed panel system

The Pyrolux range of fire rated clear glazed vision panels combines high strength Trident 3/4" glazing with a durable bolt fixed stainless steel fascia.

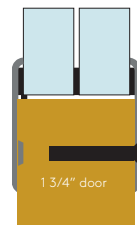
Designed for use in challenging healthcare environments, these panels have been manufactured to the highest standards to give lasting satisfaction in terms of durability and performance.



Pyrolux Steel Fascia

Select the stainless steel fascia for secure applications and where a FD60 fire rating is required. Choose a design option such as wood effect wrap or color powder coating on the fascia to provide a more aesthetic finish.

Designed for Mental Health Environments



Trident 3/4" glass
5/64" intumescent spacers
5/64" intumescent liner
Bolt fixed stainless steel fascia

Technical Specs

Door Type Compatibility

Solid core 1 3/4"

Smoke Rating

UL1784 smoke rated

Panel Size Options

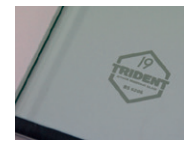
Code	Outside Fascia Size	Glass Size	Door Thickness
P5020	8 1/2" x 20 1/4"	5 1/4" x 21"	1 3/4"
P5050	20 1/4" x 20 1/4"	17" x 17"	1 3/4"
P8020	8 1/2" x 32"	5 1/4" x 28 1/4"	1 3/4"
P8050	20 1/4" x 32"	17" x 28 1/4"	1 3/4"
P1300	14 1/2" x 54"	10" x 51 1/4"	1 3/4"

Design Options

Add 'F' to the code for 150 micron film both sides

Add 'W' to the code for a wrapped fascia

Add 'PC' to the code for a powder coated fascia



Safety

The pressed stainless steel fascia is a bolt fixed design that provides a greater resistance to ligature attachment and self harm possibilities.

Fire Rated

Tested as extra large sizes (51 3/16" x 19 11/16") in both 30 minute and 1 hour doorsets the Pyrolux panel can be safely used in fire resistant doorsets in any of the configurations on the following page.

High strength glazing

The Pyrolux unit comprises of two layers of Trident 3/4" modified toughened attack resistant glass. This glass has achieved the EN356 accreditation which involves steel balls being dropped from height to test its impact resistance.

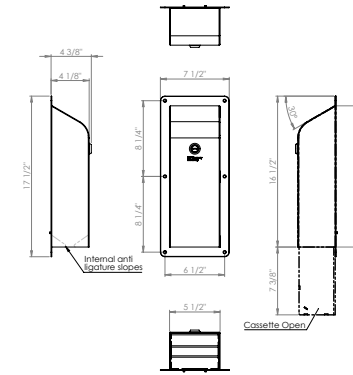


Dispensers and Grab Bars

The washroom area in a mental health facility needs careful planning as being a high-risk area for potential patient self-harm and the Kingsway Group range of components provides solutions to minimize these risks.

From washroom dispensers through to drop-rails in ADA areas the Kingsway Group range has the answer to every area in the patient washroom and en-suite.

Dispensers

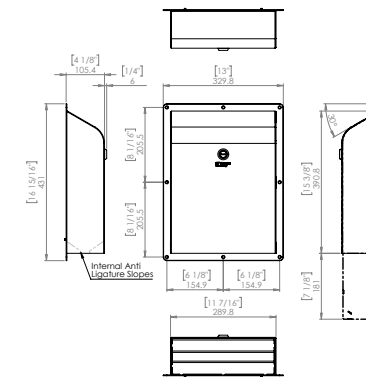


KG01 ANTI-LIGATURE SURFACE MOUNTED TOILET TISSUE DISPENSER

The toilet tissue dispenser is a secure locking unit that is easy to install and maintain. Made from high grade stainless steel it is highly durable against corrosion and abuse. Anti-ligature by design it has a shaped top with smooth edges making it suitable for the most challenging environments. The unit is designed for toilet tissue sheets.

Specification

KG01 Anti-ligature surface mounted toilet tissue dispenser

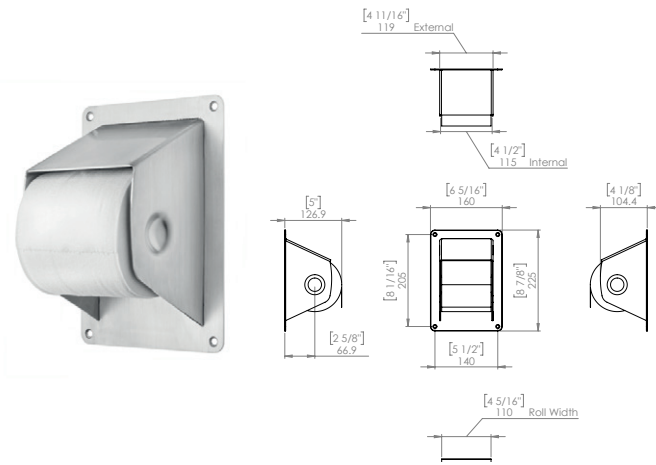


KG02 ANTI-LIGATURE SURFACE MOUNTED PAPER TOWEL HOLDER

Stainless steel paper towel dispenser that provides a safe and effective means of dispensing paper towels yet is anti-ligature by design.

Specification

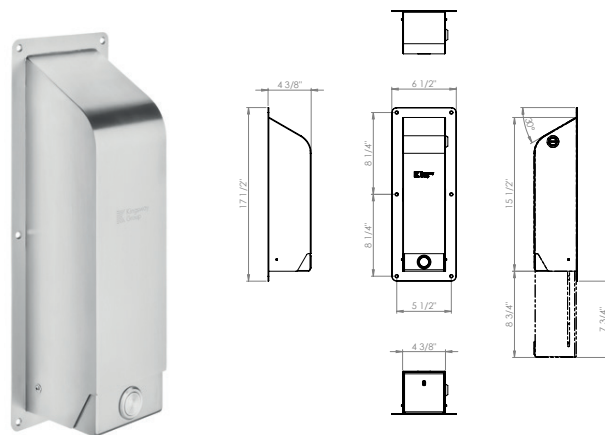
KG02 Anti-ligature surface mounted paper towel holder



KG03 ANTI-LIGATURE SURFACE MOUNTED TOILET ROLL HOLDER

The surface mounted toilet roll holder, secure, effective and anti-ligature by design that is easy to install and maintain. Manufactured from high grade stainless steel for maximum corrosion resistance.

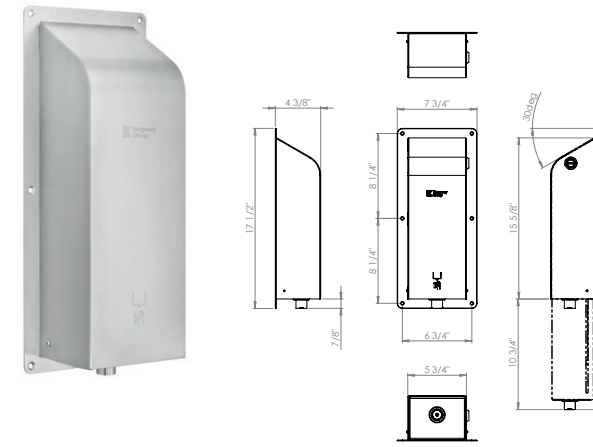
Specification
KG03 Anti-ligature surface mounted toilet roll holder



KG07 ANTI-LIGATURE SURFACE MOUNTED LIQUID SOAP DISPENSER

Soap dispenses securely from the bottom of the unit via a manual push-button. The unit has a screw top refillable container which is accessible when the unit is unlocked.

Specification
KG07 Anti-ligature surface mounted liquid soap dispenser



KG08 ANTI-LIGATURE GOJO COMPATIBLE MANUAL SOAP DISPENSER

Stainless steel surface mounted manual liquid soap dispenser for for GoJo LTX-12 refills. Soap dispenses from the manually operated unit to provide a hygienic and anti-ligature solution to hand sanitization.

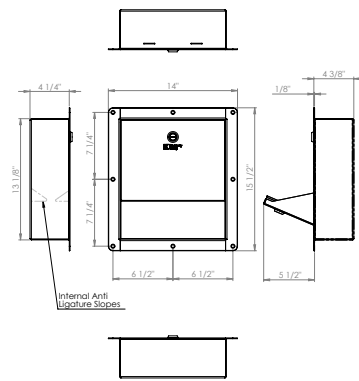
Specification
KG08 Anti-ligature GoJo compatible manual soap dispenser



KG10 ANTI-LIGATURE RECESSED TOILET TISSUE DISPENSER

Stainless steel recessed toilet tissue dispenser that provides the ultimate solution for anti-ligature washrooms. Flush fitting and well styled it provides the perfect combination when creating non-institutional interiors.

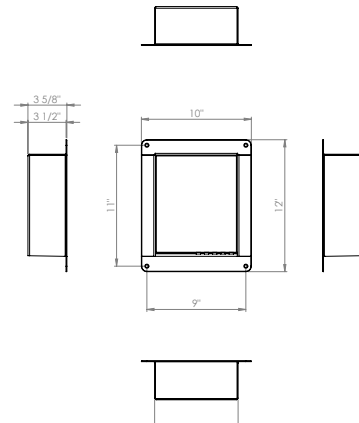
Specification
KG10 Anti-ligature Recessed Toilet Tissue Dispenser



KG11 ANTI-LIGATURE RECESSED PAPER TOWEL HOLDER

Stainless steel recessed paper towel dispenser that provides the ultimate means of dispensing paper towels yet is anti-ligature by design. Recessed and well styled it provides a modern solution to meet the need in challenging environments.

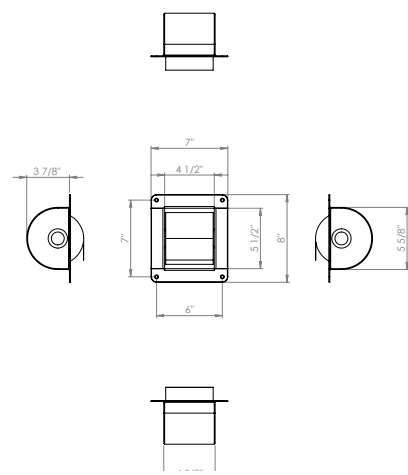
Specification
KG11 Anti-ligature recessed paper towel holder



KG12 ANTI-LIGATURE RECESSED BATHROOM SHELF

Stainless steel recessed shelf for use in secure bathrooms. Self-draining base makes it suitable for items such as soap.

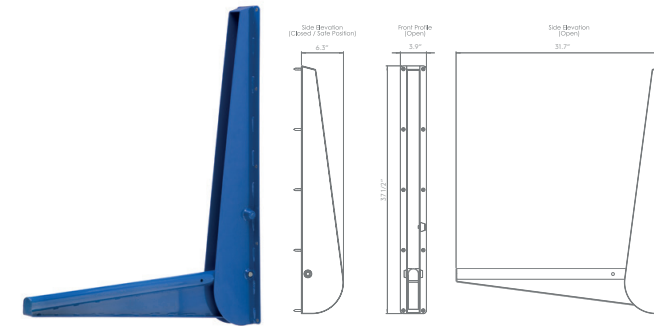
Specification
KG12 Anti-ligature recessed bathroom shelf



KG13 ANTI-LIGATURE RECESSED TOILET ROLL HOLDER

The recessed toilet roll holder provides a secure and effective means of dispensing standard toilet rolls whilst being anti-ligature by design. Manufactured from high grade stainless steel for maximum corrosion resistance.

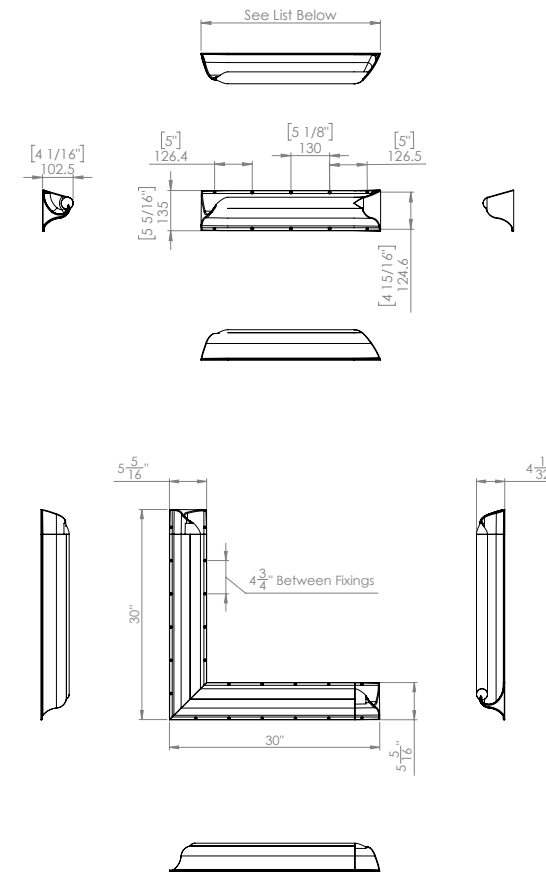
Specification
KG13 Anti-ligature recessed toilet roll holder



KG255 LIGATURE RESISTANT DROP RAIL WALL MOUNTED

The WC drop rail is a sturdy hinged arm that can be locked in the upright position when not in use. Manufactured from heavy gauge steel for maximum strength and powder coated for extra comfort and for matching or contrasting to the surroundings.

Specification
KG255 Anti-ligature Drop Rail Support



KG270 ANTI-LIGATURE GRAB BARS

The Kingsway anti-ligature grab bar is a patented design which allows maximum graspability whilst maintaining anti-ligature design. The grab bars are available in 6" increments from 18" through 48" and custom lengths are available on request. The standard finish is a heavy duty powder coat to any color from the RAL system, nylon coating is available as an extra.

Specification
KG270RH Anti-ligature grab bar - 18" Right Hand
KG272LH Anti-ligature grab bar - 24" Left Hand
KG272RH Anti-ligature grab bar - 24" Right Hand
KG273LH Anti-ligature grab bar - 30" Left Hand
KG273RH Anti-ligature grab bar - 30" Right Hand
KG274LH Anti-ligature grab bar - 36" Left Hand
KG274RH Anti-ligature grab bar - 36" Right Hand
KG276LH Anti-ligature grab bar - 42" Left Hand
KG276RH Anti-ligature grab bar - 42" Right Hand
KG278LH Anti-ligature grab bar - 48" Left Hand
KG278RH Anti-ligature grab bar - 48" Right Hand
KG279LH Anti-ligature grab bar - 'L' shaped 30" Left Hand
KG279RH Anti-ligature grab bar - 'L' shaped 30" Right Hand



Ligature Resistant Product Specialists

164 Indusco Court
Troy
MI
48083

248-429-5520
sales@kingswaygroupusa.com

kingswaygroupusa.com

